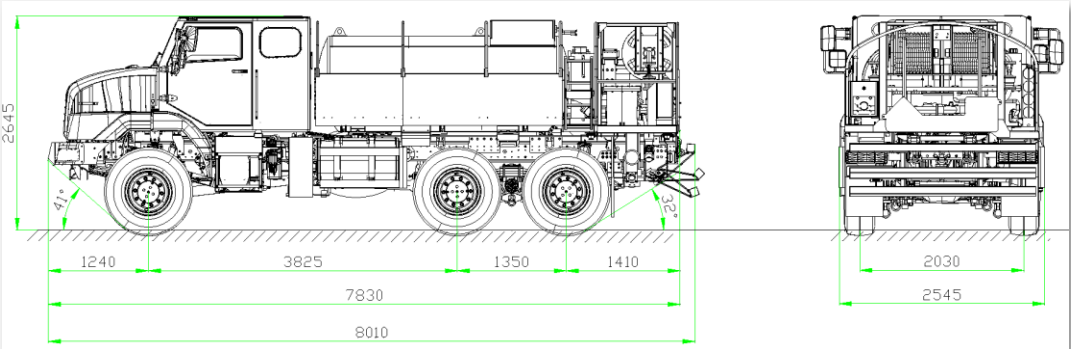




# AIR TRANSPORTABLE 5000L AIRCRAFT REFUELLER



## SHAPE





# AIR TRANSPORTABLE 5000L AIRCRAFT REFUELLER

## STRENGTHS

- Compact design allowing **air transport**
- **All-terrain (40% slopes and 30% inclination)**
- Can be operated in **any weather conditions** to ensure continuous fuelling operations (-31°C à +49°C)
- Compact and ergonomic control panel
- Transport of all kinds of aeronautics or land fuels
- Camouflage thanks to an integral colored tarp respecting military norms

## EQUIPMENT

<b>WEIGHT AND DIMENSIONS</b>	Dimensions (L x W x H) : 8000 x 2550 x 2645 mm Weight (GVW): 15000 kg
<b>FUELLING PERFORMANCES</b>	2 x 200 L/min (50 gpm) through 2 x 20m long 2" hoses EN1361-C HD types
<b>DEFUELING PERFORMANCES</b>	200 L/min defueling flow rate. Outside suction, transfer and self-loading functions
<b>COMPLIANCE</b>	EN 1361-C/API 1529 for the hoses; API/IP for the filtration : NATO for the distribution nozzles Dangerous good road transport (ADR) Air-transportable in Transall C-160, Hercules C-130, A 400M, Antonov 124, Globemaster C17 and Galaxy C5.
<b>TANK</b>	5000 L (1300 USG) + 5% expansion In stainless steel
<b>PUMP</b>	Volumetric pump with mechanical by pass
<b>FILTRATION</b>	Monitor filter and/or water separator filter
<b>SAMPLING SYSTEM</b>	Upstream and downstream filter sampling
<b>MESURING SYSTEM</b>	Two meters with adapted lighting for night refueling operations
<b>HOSE REELS</b>	2 hose reels of Titan Aviation conception Hydraulically driven and without chain
<b>REGULATION</b>	Primary: hose end pressure control valve
<b>FUNCTIONS CONTROL</b>	Functions handled by the latest generation of expandable Program Logic Controller All electric and pneumatical lines numbered on both ends
<b>ANTICORROSIVE</b>	Frame protected by sandblasting, hot zinc surface treatment, and painting
<b>SAFETY</b>	Intermittent/timer controlled deadman, with buzzer sound and deadman activation light, and to allow full rated flow Complete electric continuity on unit with required bonding straps Emergency stop on each side of the vehicle 2 extinguishers BC dry powders (9 kg) with their support on each side of the vehicle

## INFORMATION

Contact us at : [welcome@titan-defense.com](mailto:welcome@titan-defense.com)  
Or via our website : [www.titan-defense.com](http://www.titan-defense.com)