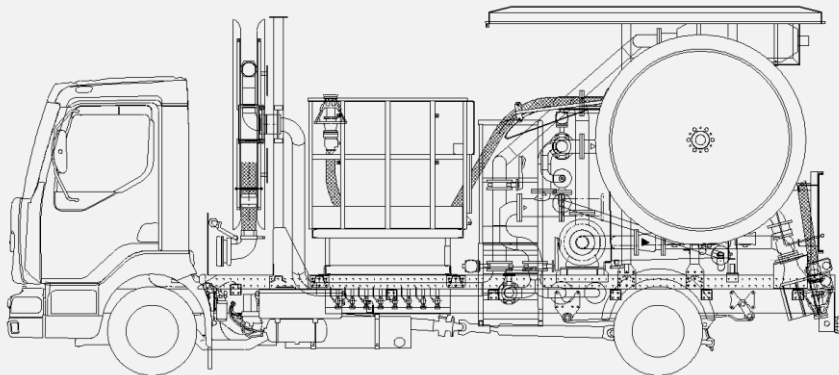


## MILITARY HIGH FLOW RATE HYDRANT DISPENSER



### SHAPE



### STRENGTHS

- Frame protected by sandblasting, metallizing, and painting
- All type of EURO generation engine depending on your destination and usage
- **Hydrant hose mounted on hose reel**
- **Fuelling module accessible from the back of the truck**



# MILITARY HIGH FLOW RATE HYDRANT DISPENSER

## EQUIPMENT

<b>INLET LINE</b>	3800 L/min (1000 gpm) through the 2 deck hoses 2000 L/min (530 gpm) through the 2" long hoses EN1361-C HD type (under wing nozzles)
<b>FILTRATION</b>	JIG Edition n°12 EN 1361-C/API 1529 for hoses API/IP for filtration API 1584
<b>SAMPLING SYSTEM</b>	hydrant hose equipped with a regulated hydrant coupling Mounted on hose reel
<b>MEASURING SYSTEM</b>	One filter in total compliance with API/IP norm
<b>HOSE REEL</b>	Upstream and downstream filter sampling
<b>ELEVATING PLATFORM</b>	Two meters with adapted lighting for night operations
<b>REGULATION</b>	Hose reels of Titan Aviation conception Driven hydraulically and without chain
<b>FUNCTIONS CONTROL</b>	Scissor type hydraulically operated Elevation of platform ground up to 4,20m height, for operations up to 6,00m height
<b>WEIGHT AND DIMENSIONS</b>	Primary : hose end pressure control valve (HEPCV) Secondary : inline pressure control valve (ILPCV)
<b>ANTICORROSIVE</b>	Functions handled by latest generation of expandable Program Logic Controller All electric lines numbered on both ends and through weather tight harnesses
<b>SAFETY</b>	Approximate dimensions (L x W x H) : 5700 x 2500 x 3200 mm Approximate weight (GVW) : 8500 kg

## INFORMATION

Contact-us at : [welcome@titan-defense.com](mailto:welcome@titan-defense.com)

Or via our website : [www.titan-defense.com](http://www.titan-defense.com)

