

## TACTICAL HOT REFUELLING DISPENSER



The Tactical Hot Refueling Dispenser has been specially developed to ensure the refuelling of helicopters, planes, and small boats from other equipment tanks such as aircraft, flexible tanks, ... Hot refueling is possible for helicopters.

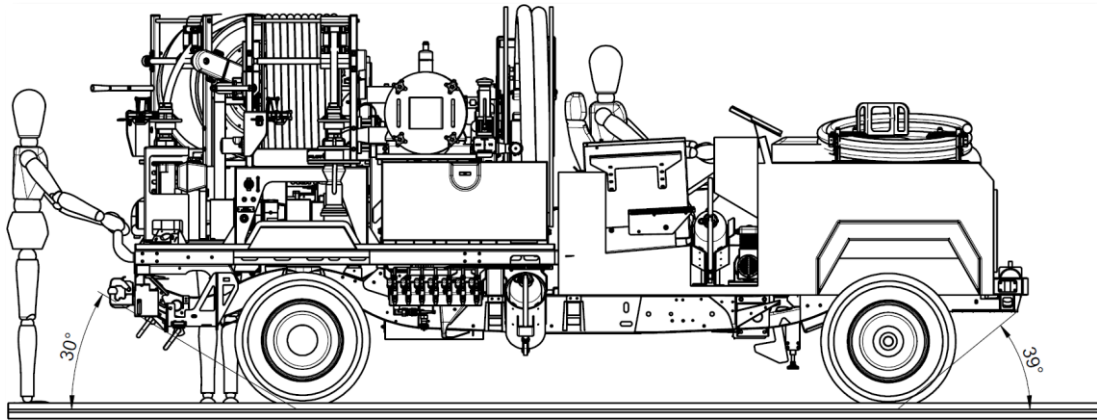
### STRENGTHS

- **Aerotransportable** : on A400M, C130, C160, Antonov ...
- **Reliable** : all functions are doubled and there is a backup mode
- **Control** : one person is enough to operate the whole system and ensure the mission
- **Weather-tight** : refueling from -25 ° C to +50 ° C
- **Stealthy** : equipped with the Blackout function and IR lights



## TACTICAL HOT REFUELLING DISPENSER

### SHAPE



### EQUIPMENT

<b>FUELLING PERFORMANCES</b>	Two 12m <sup>3</sup> /h lines or one 20m <sup>3</sup> /h line Supply by coupler or nozzle : quick disconnect
<b>CONFORMITY</b>	Filtration, metering, pressure regulation in accordance with the refuelling standards
<b>AUTONOMY</b>	Unlimited by recycling aviation fuel and electrical emergency
<b>FILTRATION</b>	Water separator
<b>HOSES</b>	1 x 20 m of suction hose 2 x 40 m of fuelling hoses 2 hoses reels driven hydraulically
<b>ANTICORROSIVE</b>	Frame protected by sandblasting, metallizing, and anticorrosive painting Polyurethane coating on specific areas
<b>AEROTRANSPORT</b>	10 deck plates
<b>LIGHTING</b>	Blackout and IR lighting
<b>WEIGHTS AND DIMENSIONS</b>	Empty weight : 3600 Kg Dimensions (L x W x H) : 5049 x 2150 x 2198 mm

### INFORMATION

Contact us at : [welcome@titan-defense.com](mailto:welcome@titan-defense.com)  
Or via our website : [www.titan-defense.com](http://www.titan-defense.com)